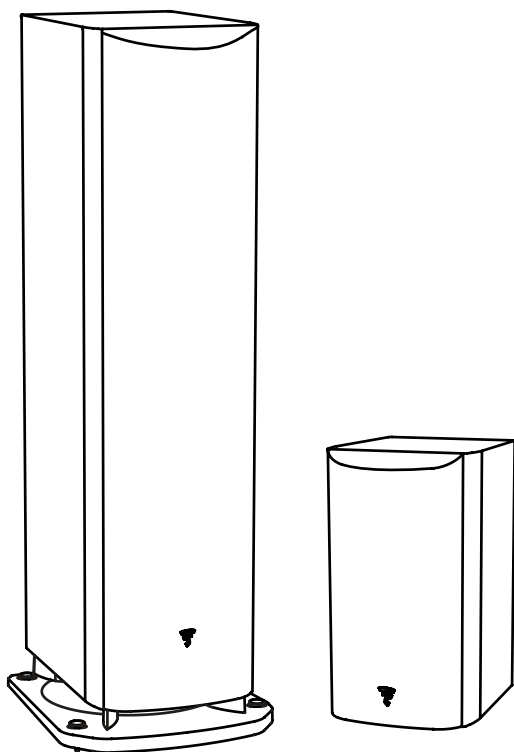


# ARIA™ 900 SERIE

User manual / Manuel d'utilisation / Gebrauchsanleitung



English : page 4  
Français : page 13  
Deutsch : Seite 22

# ARIA 900™ SERIE

## User manual/Manuel d'installation

2

**F**

Nous vous remercions d'avoir choisi les enceintes Focal et de partager avec nous notre philosophie "Listen Beyond". Ces enceintes de haute technicité intègrent les ultimes perfectionnements Focal en matière de conception de haut-parleurs pour la haute fidélité et le home cinéma. Afin d'exploiter toutes leurs performances, nous vous conseillons de lire les instructions de ce livret puis de le conserver avec précaution pour vous y référer ultérieurement.

**GB**

Thank you for choosing Focal loudspeakers. We are pleased to share with you our philosophy : "Listen Beyond". These high-performance speakers feature the latest technical developments from Focal in terms of speaker design, whether it is for high fidelity or home cinema systems. In order to enjoy the maximum of their performance, we advise you to read this user's manual and to keep it carefully so that you can consult it later.

**ES**

Gracias por elegir sistemas de altavoces de Focal. Nos complace compartir con usted nuestra filosofía: "Listen Beyond". Estos sistemas de altavoces de altas prestaciones de Focal se caracterizan por estar dotados de los últimos avances tecnológicos de Focal en términos de diseño, tanto para sistemas de alta fidelidad como de Home Cinema. Con el objetivo de que disfrute al máximo de las prestaciones de los equipos le recomendamos lea este manual detenidamente y conserve el mismo para futuras consultas.

**I**

Grazie per aver scelto i diffusori acustici Focal. Siamo felici di condividere con voi la nostra filosofia: "Listen Beyond". Questi diffusori ad alte prestazioni adottano gli ultimi sviluppi tecnici Focal in termini di design, sia per sistemi hi-fi, sia per home theater. Per godere il massimo delle loro prestazioni, vi invitiamo a leggere questo manuale e conservarlo per future consultazioni.

**D**

Vielen Dank, dass Sie sich Für Focal-Lautsprecher entschieden haben. Gerne teilen wir mit Ihnen unsere Philosophie: "Listen Beyond". Diese Lautsprecher stellen den neuesten technischen Stand dessen dar, was Focal im Bereich Hifi- und Heimkinosysteme bietet. Um das Potenzial der Lautsprecher voll ausschöpfen zu können, sollten Sie dieses Benutzerhandbuch sorgfältig lesen und für die spätere Einsichtnahme gut aufbewahren.

**RU**

Благодарим Вас за выбор продукции компании Focal. Мы с удовольствием делимся с Вами нашей философией: "Listen Beyond". При изготовлении наших громкоговорителей используются самые передовые технологии разработанные компанией Focal, отличительной чертой нашей продукции является передовой дизайн и способность работать превосходно как в системах класса Hi-Fi, так и в домашнем кинотеатре. Для того чтобы ощутить максимум возможностей превосходства нашей продукции мы советуем вам внимательно ознакомиться с руководством пользователя и сохранить его, так как оно может пригодиться вам в будущем.

**CN**

祝贺和感谢您购买法国 Aria 900 扬声器。我们很高兴能与您分享我们的理念：「Listen Beyond」。无论是高品质音响或家庭影院系统，这高性能扬声器俱备Focal最新技术发展音箱设计和声音放大技术，高品质音响或家庭影院系统均有出色表现。为了能享受产品的最佳表现，我们建议您阅读本用户手册，并妥善保存以便您随时参考。

# ARIA 900™ SERIE

User manual/Manuel d'installation

3

J

この度は、フォーカルスピーカーをお買い上げいただき、有り難うございます。"Listen Beyond" (サウンドの精神) という私たちの哲学を共有していただけたことに感謝申し上げます。  
ハイファイ、ホームシアターシステム用に設計された高性能スピーカーには、スピーカー設計のフォーカルの最新技術を投入しております。最高のパフォーマンスで楽しんでいただくために、同梱のユーザーマニュアルを良くお読みください。また、後々参照していただけるようにマニュアルを大切に保管されることをおすすめいたします。

KR

Focal 스피커를 구입해주셔서 감사합니다.

우리의 철학인 "Listen Beyond"를 공유하게 되어서 기쁘게 생각합니다.

본 제품은 뛰어난 성능과 디자인 면에서 Focal의 최신 기술을 사용해 개발했습니다.

본 제품을 최대한 즐길 수 있게, 설명서를 읽어주시고 후에 참조할 수 있도록 보관해 주십시오.

AR

- شكرا لقيامك بإختيار مكبرات الصوت Focal. يسرنا أن نشارك معك بملفقتنا: "حبوية الصوت" تعبير مكبرات. الصوت عالية الأداء هذه عن أحدث التطورات التقنية في شركة Focal من ناحية التصميم سواء كانت للأداء عالي الأمانة أو أنظمة المسرح المنزلي. كي تتمكن من الاستمتاع بالأداء إلى الحد الأقصى، ننصحك بقراءة كتيب المستخدم والاحتفاظ به للرجوع إليه مستقبلا

- تم تصنيع وتطوير منتج Focal-Jmlab من مواد ومكونات عالية الجودة وقابلة لإعادة التدوير وأو إعادة الاستخدام. يعني هذا الرمز أن التجهيزات الكهربائية والإلكترونية يجب التخلص منها بشكل منفصل عن القمامة العادية عند انتهاء عمرها التشغيلي. يرجى التخلص من هذا المنتج عبر نقله إلى نقطة الجمع المحلية أو مركز إعادة التدوير المخصص لهذا النوع من الأجهزة. سيساعد ذلك في حماية البيئة التي نعيش جميعنا فيها.

# ARIA 900™ SERIE

## User manual

English

Please validate your Focal-JMLab warranty,  
it is now possible to register your product online: [www.focal.com/warranty](http://www.focal.com/warranty)



### Running-in period

The Aria 900 range loudspeakers are complex mechanical assemblies which need a period of adaptation ("run-in") to operate at their best and to become acclimatised to the temperature and humidity conditions of your environment. This running-in period varies depending on the conditions in question and may last for some weeks. To facilitate run-in, we recommend operating the speakers for approximately twenty hours consecutively. Once the loudspeakers' characteristics totally stabilised you will be able to enjoy your Aria 900's performance to the full.

### Carton contents:

- 1 loudspeaker (906 : 2 loudspeakers)
- 1 user manual
- 1 cleaning cloth (Black High Gloss finish)
- 1 spike adjustment spanner (926, 936, 948)
- 1 aluminium alloy plinth (926, 936, 948)
- 4 screws + Allen key (926, 936, 948)
- 1 wall mounting kit Polyfix (SR900)

### Specifications

**Aluminum/Magnesium alloy inverted dome TNF Tweeter** : the tweeter developed for the Aria 900 range uses Focal exclusive inverted dome technology, for optimal energy transfer and limited directivity. The dome's Aluminum/Magnesium alloy guarantees outstanding stiffness and damping. The mechanical properties of the new suspension system using Poron, an open cell polyurethane microcellular foam, provide numerous benefits: excellent dimensional stability and no degradation over time. The advantages of the use of Poron in this tweeter are obvious in terms of linearity and distortion reduction. This leads to a silkier, more precise sound with greater harmonic richness. The tweeter mounting has an integral waveguide which maximises horizontal directivity and minimises diffraction.

**Flax cone midrange and bass drivers**: every loudspeaker in the Aria range is made using Flax sandwich technology. Flax is an eco-textile with astounding structural properties: it is light, stiff and well damped, for greater neutrality of timbres and better definition.

**Magnetic front grille**: easy to fit; more modern design.

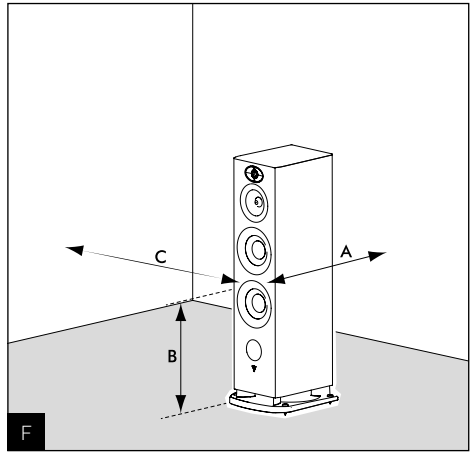
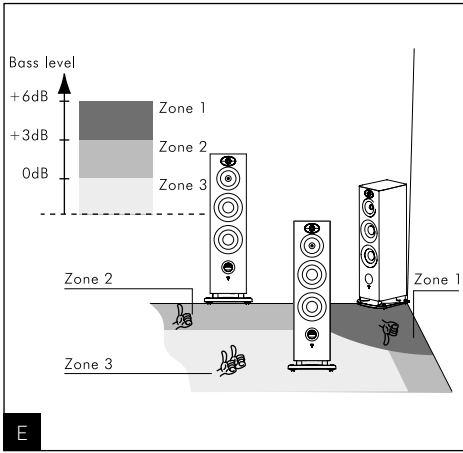
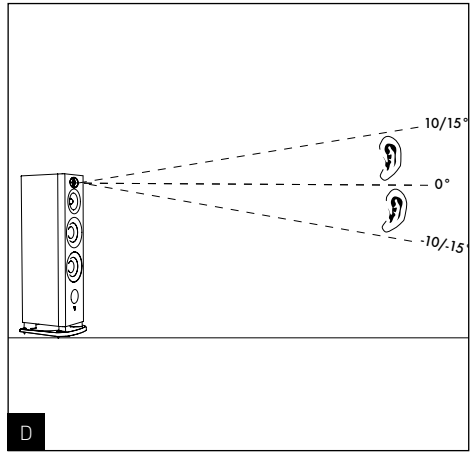
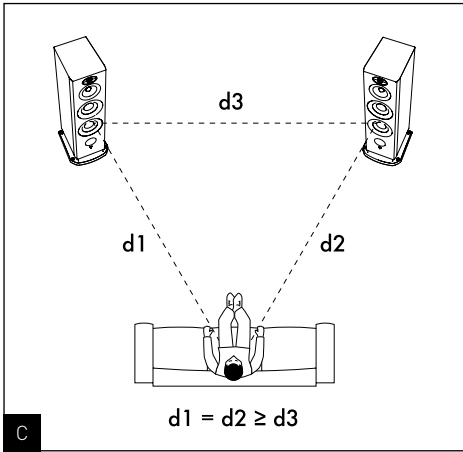
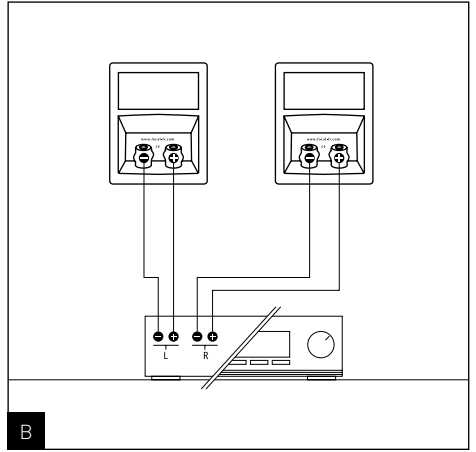
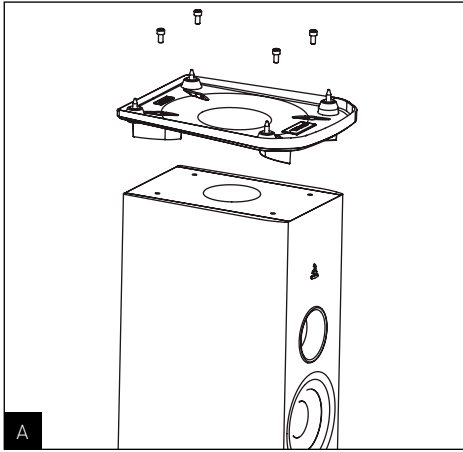
**Powerflow System** : port tube air speed cut by half compared to traditional technology. No bass dynamic compression.

**Profiled vent**: powerful, distortion-free bass.

**High-efficiency acoustic wadding**: excellent internal damping, sustained, deeper bass.

**High-torque, reliable multi-purpose cable connections.**

**Decoupling spikes included.**



# ARIA 900™ SERIE

## User manual

### Attaching the base to the cabinet (926, 936, 948)

To attach the base to the cabinet, firstly turn the cabinet over so that it is resting on its top (on the packaging padding), taking care not to damage the cabinet-work, glass top-plate or speaker cones when carrying out this operation. Position the base on the cabinet and screw in the four screws provided. Tighten the screws using the Allen key (fig. A).

### Connections

The Aria 900 connectors provide reliable, multi-purpose contacts for stripped cables (up to 4 mm diameter) or fork terminals. Banana jacks are covered for compliance with electrical and connection standards in force in some countries. Do not remove the plastic covers.

It is essential to connect the loudspeakers using the correct polarity. The connector marked " + " must be connected to the matching output on the amplifier and the connector marked " - " must be connected to the negative terminal (fig. B). If the loudspeakers are connected with incorrect polarity there will be considerable degradation to both the stereo image and the audio perception of bass.

### Where to position your loudspeakers

Your Aria 900 loudspeakers have been designed to reproduce as faithfully as possible every kind of music and home cinema programme. Nonetheless, it makes sense to follow some simple rules to optimise their performance and to guarantee good tonal balance and a realistic sound stage.

The loudspeakers should be positioned symmetrically, facing the listening area, ideally forming an equilateral triangle with it. It is, however, possible to change these distances to reach the ideal compromise for any particular conditions (fig. C).

The loudspeakers should be positioned at the same height, in the same horizontal plane. Ideally, the tweeter should be positioned at the same height as the listener's ear when listening normally (fig. D).

Do not position your loudspeakers too close to a corner of the room and do not place them too close to a wall. If they are positioned close to a wall or a corner this has the effect of exciting certain resonances within the room and artificially increasing the bass. Conversely, if the bass level is judged to be insufficient, you could try moving the loudspeakers nearer a wall to re-balance the bass level (fig. E).

### Optimisation

For perfectionists, here is the formula for optimal positioning:

If **A** is the distance from the centre of the woofer to the nearest floor or wall, **B** is the distance to the next closest floor or wall and **C** the greatest distance ( $A < B < C$ ), the equation  $B^2 = AC$  defines the ideal loudspeaker position.

#### • For example:

If the centre of the woofer is 50 cm away from the back wall (A) and 60 cm from the floor (B), then the side wall will ideally be 72 cm away ( $C = B^2/A = 72 \text{ cm}$ ) (fig. F).

### Recommendations for use

The behaviour of Aria 900 loudspeakers depends on the acoustics in the listening room, on the correct positioning of the loudspeakers within the room and on the position of the listener. It is possible to work these elements together to correct or improve a desired effect.

**Stereo perception is imprecise and poorly centred** : try moving the loudspeakers closer to one another and/or have them facing the listening point

**Sound is harsh, aggressive** : the acoustic in your listening room probably has too many reverberations. Consider using sound softening (carpets, upholstered furniture, wall hangings, curtains, etc.) and sound reflecting materials (furniture) to absorb or diffuse resonance.

**Sound is "flat", "strangled"**: there are too many sound absorbent items in the room, the sound is soaked up, it has no relief. Look for the best compromise between sound absorbing and sound reflecting materials in your room.

In general terms, it is good to aim for the wall behind the loudspeakers being reflective for the sound to develop correctly. The wall behind the listening position, on the other hand, is ideally sound absorbing to avoid rear reflections "contaminating" the stereo image. Furniture can be judiciously placed near the side walls of the room to diffuse sound waves and ensure certain frequency zones, particularly in the mid-range, are not excited ("flutter echo" suppression).

# ARIA 900™ SERIE

## User manual

7

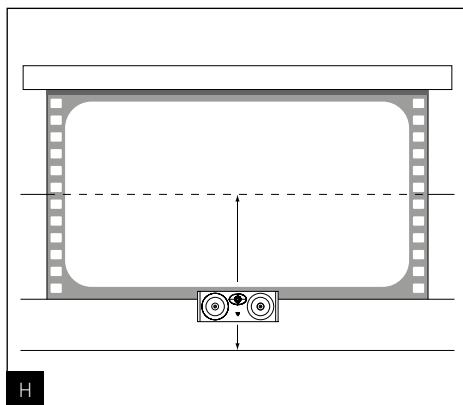
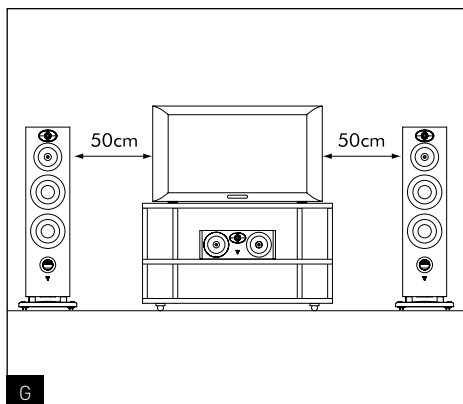
### Choice of loudspeakers

Aria 900 loudspeakers have been developed to operate as both stereo and Home Cinema equipment. If you already own some Aria 900 loudspeakers and wish to develop your system into Home Cinema, it is crucial to use Aria 900 centre and surround speakers. This is the only practicable solution that will guarantee perfectly matched timbres and realistic, consistent distribution of 3D effects within the room.

### Centre speaker placement

The centre speaker must be positioned near the screen for realistic reproduction of dialogue. It can be placed under the television if there is sufficient room in the TV stand *(fig. G)*.

If a standard projection screen is used, the centre speaker should be placed at the foot of the screen for best results. If a microperforated screen is used, it can be positioned behind the screen, towards the bottom half of the screen *(fig. H)*.



# ARIA 900™ SERIE

## User manual

8

### Surround speaker placement

The sophistication of film soundtracks, especially those mixed in 5.1, or 7.1 means that a very broad range of surround-sound effects can be achieved nowadays. The choice of positioning for surround speakers is, therefore, crucial for achieving a realistic 3D sound space.

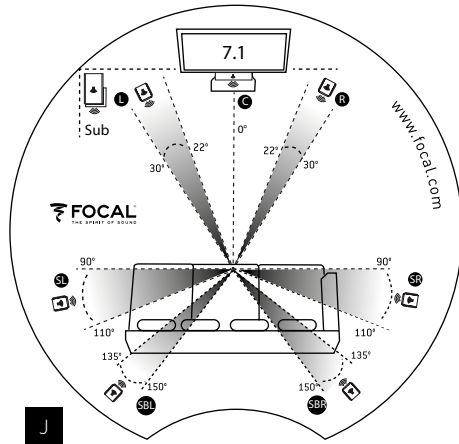
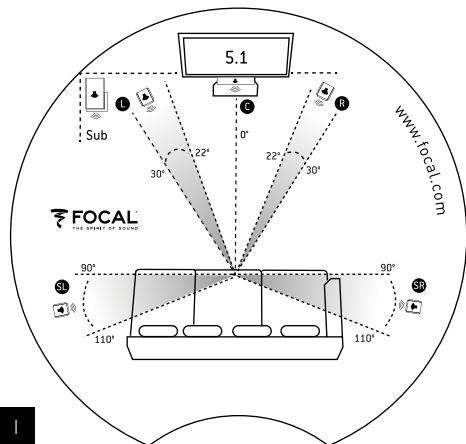
The aim is to apply basic rules to achieve sounds that are sufficiently diffused and difficult to locate.

Do not place surround speakers too far behind the listening point, as this will lead to degraded sound perception from them. Aim for placement along the side walls for more enveloping sound effects (*figs. I, J*)

### Loudspeakers placement

- Position yourself in your normal listening point.
- Place the diagram below facing your screen
- It shows you the best locations for your satellite speakers.

To the screen



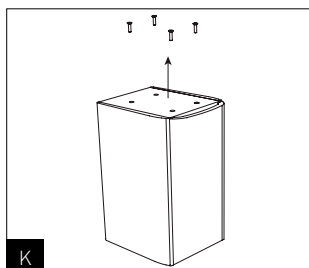


# ARIA 900™ SERIE

## User manual

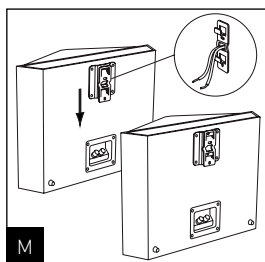
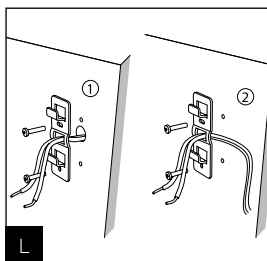
### Attaching the bookshelf speaker to a stand

Firstly turn the cabinet over so that it is resting on its top (on the packaging padding), taking care not to damage the cabinet-work, glass top-plate or speaker cones when carrying out this operation. Remove the four screws located on the base of the loudspeaker (*fig. K*), then place the stand on the base of the loudspeaker. Secure the loudspeaker the four screws provided with the stand. (see instructions manual of Focal stand S900).



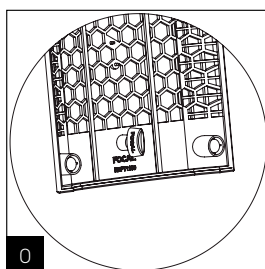
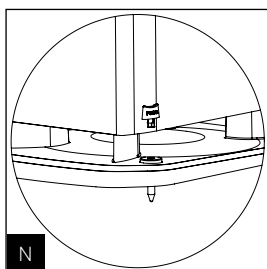
### Surround mounting with Polyfix wall bracket (SR900)

- Place the wall rest on to the wall and drill. Use only plugs fitting your wall material.
- If the loudspeaker cable is embedded in the wall, guide it through the wall mounted bracket's opening as indicated.
- If the loudspeaker cable is fixed to the wall, slide it under the wall mounted bracket as indicated.
- Guide the loudspeaker cable through the Polyfix plate as indicated.
- Clip the plate on the loudspeaker to the wall mounted bracket as indicated (*fig. L, M*).



### Accessories

Aria 900 floorstanding speakers are fitted with spikes on their metal plinth. These can be adjusted in height using the tool provided. After use, this tool is stored behind the loudspeaker protection grille (*fig. N, O*).



# ARIA 900™ SERIE

## User manual

### Precautions for use

The TNF tweeter uses a relatively flexible Aluminum/Magnesium alloy, with a "shape memory" enabling it to withstand the majority of small impacts in the home. Nevertheless, we recommend leaving the fabric grilles in place to protect the dome. If the dome surface is marked this could have an impact on the tweeter.

### Cleaning instructions

The only maintenance required for the Aria 900 is dusting with a dry cloth. If the cabinet becomes marked, we recommend simply using a damp cloth. The glass top-plate can be cleaned using a soft cloth and a standard glass cleaning product.

Never use solvents, detergents, alcohol-based or corrosive products, scrapers or scourers to clean the loudspeaker surface.

Keep the loudspeakers away from sources of heat.

### Choice of amplifier

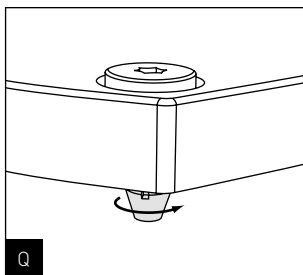
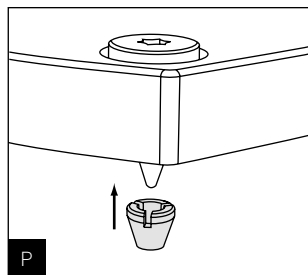
It is not an excess of amplifier power that can damage your loudspeakers and drivers but a lack of power. Moreover, if the volume is turned too high, the amplifier saturates and generates parasite signals that may destroy the tweeter.

The dynamic capacity and definition of Aria 900 loudspeakers are sufficient to show up the strengths and weaknesses of whatever amplifier is connected. Your retailer will be able to guide your choice, to suit your tastes and budget.

### Choosing cables

Choose good quality cables with a cross-section appropriate to their length: your retailer will be able to advise you.

### Fitting spike protectors



# ARIA 900™ SERIE

## User manual

### Specifications

	<b>ARIA 906</b>	<b>ARIA 926</b>	<b>ARIA 936</b>
<b>Type</b>	Two-way bass-reflex bookshelf loudspeaker	Three-way bass-reflex floor standing loudspeaker	Three-way bass-reflex floor standing loudspeaker
<b>Drivers</b>	6 1/2" (16.5cm) Flax bass-midrange	2 x 6 1/2" (16.5cm) Flax bass	3 x 6 1/2" (16.5cm) Flax bass
		6 1/2" (16.5cm) Flax midrange	6 1/2" (16.5cm) Flax midrange
	1" (25mm) Al/Mg TNF inverted dome tweeter	1" (25mm) Al/Mg TNF inverted dome tweeter	1" (25mm) Al/Mg TNF inverted dome tweeter
<b>Frequency response (±3dB)</b>	55Hz - 28kHz	45Hz - 28kHz	39Hz - 28kHz
<b>Low frequency point - 6 dB</b>	47Hz	37Hz	32Hz
<b>Sensibility (2.83V/1m)</b>	89.5dB	91.5dB	92dB
<b>Nominal impedance</b>	8 Ohms	8 Ohms	8 Ohms
<b>Minimum impedance</b>	4.6 Ohms	2.9 Ohms	2.8 Ohms
<b>Recommended amplifier power</b>	25 - 120W	40 - 250W	50 - 300W
<b>Crossover frequency</b>	2 800Hz	290Hz / 2400Hz	260Hz / 3100Hz
<b>Dimensions (HxWxD)</b>	15 <sup>3/8</sup> x 8 <sup>7/8</sup> x 11" (390x225x280mm)	40 <sup>3/4</sup> x 11 <sup>3/8</sup> x 14 <sup>5/8</sup> " (1035x294x371mm)	45 <sup>1/4</sup> x 11 <sup>9/16</sup> x 14 <sup>5/8</sup> " (1150x294x371mm)
<b>Net Weight (unit)</b>	19lbs (8.5 kg)	55lbs (25kg)	64lbs (29kg)

# ARIA 900™ SERIE

## User manual

12

	<b>ARIA 948</b>	<b>ARIA CC 900</b>	<b>ARIA SR 900</b>
<b>Type</b>	Three-way bass-reflex floor standing loudspeaker	Two-way bass-reflex center loudspeaker	Two-way sealed bipolar surround loudspeaker.
<b>Drivers</b>	2 x 8" (21cm) Flax bass	2 x 6 <sup>1/2</sup> " (16.5cm) Flax bass midrange	2 x 5" (13cm) Flax bass-midrange
	6 <sup>1/2</sup> " (16.5cm) Flax midrange		
	1" (25mm) Al/Mg TNF inverted dome tweeter	1" (25mm) Al/Mg TNF inverted dome tweeter	2x1" (25mm) Al/Mg TNF inverted dome tweeter
<b>Frequency response (±3dB)</b>	37Hz - 28kHz	57Hz - 28kHz	85Hz - 28kHz
<b>Low frequency point - 6 dB</b>	31Hz	50Hz	67Hz
<b>Sensibility (2.83V/1m)</b>	92.5dB	91dB	90dB
<b>Nominal impedance</b>	8 Ohms	8 Ohms	8 Ohms
<b>Minimum impedance</b>	2.5 Ohms	4.3 Ohms	3.6 Ohms
<b>Recommended amplifier power</b>	50 - 350W	40 - 200W	25 - 120W
<b>Crossover frequency</b>	280Hz / 2600Hz	2800Hz	2200Hz
<b>Dimensions (HxWxD)</b>	45 <sup>1/4</sup> x 14 <sup>5/8</sup> x 16 <sup>9/16</sup> " (1150x371x420mm)	7 <sup>7/8</sup> x 20 <sup>63/64</sup> x 9 <sup>5/8</sup> " (200x533x245mm)	11 <sup>39/64</sup> x 15 <sup>3/4</sup> x 6 <sup>11/16</sup> " (295x400x170mm)
<b>Net Weight (unit)</b>	77lbs (35kg)	23lbs (10.5kg)	12lbs (5.6kg)

### Conditions of guarantee

All Focal loudspeakers are covered by guarantee drawn up by the official Focal distributor in your country. Your distributor can provide all details concerning the conditions of guarantee. Guarantee cover extends at least to that granted by the legal guarantee in force in the country where the original purchase invoice was issued.

# ARIA 900™ SERIE

## Manuel d'utilisation

Français

Pour validation de la garantie Focal-JMLab,  
il est maintenant possible d'enregistrer son produit en ligne : [www.focal.com/garantie](http://www.focal.com/garantie)



### Période de rodage

Les haut-parleurs utilisés dans les enceintes de la gamme Aria 900 sont des éléments mécaniques complexes qui exigent une période d'adaptation pour fonctionner au mieux de leurs possibilités et s'adapter aux conditions de température et d'humidité de votre environnement. Cette période de rodage varie selon les conditions rencontrées et peut se prolonger sur quelques semaines. Pour accélérer cette opération, nous vous conseillons de faire fonctionner vos enceintes une vingtaine d'heures consécutives. Une fois les caractéristiques de l'enceinte totalement stabilisées, vous pourrez profiter intégralement des performances de vos enceintes Aria 900.

### Contenu du carton :

- 1 enceinte (906 : 2 enceintes)
- 1 manuel utilisateur
- 1 chiffon de nettoyage ( finition Black High Gloss)
- 1 clé pour ajustement des pointes (926, 936, 948)
- 1 socle en alliage d'aluminium (926, 936, 948)
- 4 vis + clé Allen (926, 936, 948)
- 1 kit de fixation mural Polyfix (SR900)

### Caractéristiques

**Tweeter TNF à dôme inversé en alliage Aluminium / Magnésium** : le tweeter développé pour les produits de la gamme Aria 900 utilise la technologie du dôme inversé exclusive à Focal, permettant un transfert optimal de l'énergie et une directivité limitée. L'alliage Aluminium / Magnésium du dôme garantit des performances exceptionnelles en matière de rigidité et d'amortissement. Les propriétés mécaniques de la nouvelle suspension en Poron, un polymère d'uréthane micro cellulaire à cellules ouvertes, apportent de nombreux avantages : excellente stabilité dimensionnelle, pas de dégradation dans le temps. Le bénéfice du Poron sur ce tweeter est évident en termes de linéarité et de baisse de la distorsion. Il en résulte un son plus soyeux et précis, avec une plus grande richesse harmonique. Le support du tweeter intègre un guide d'ondes qui maximise la directivité horizontale et minimise les diffractions.

**Haut-parleurs de grave et médium à membrane Flax (Lin)** : toutes les membranes des haut-parleurs de la gamme Aria sont fabriquées avec la technologie sandwich Flax. Le Flax (Lin) est un écotextile aux propriétés structurelles étonnantes : léger, rigide et bien amorti, pour une plus grande neutralité des timbres et une meilleure définition.

**Grille de protection à attache magnétique** : facilité de mise en place, design plus moderne.

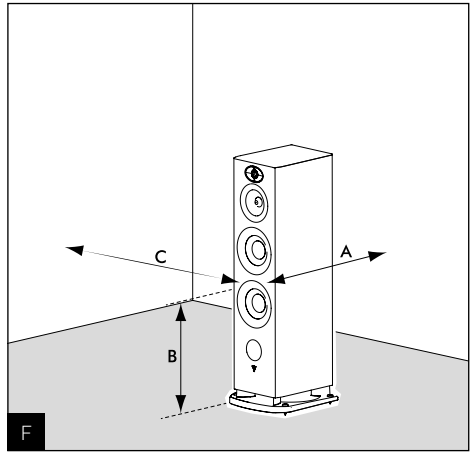
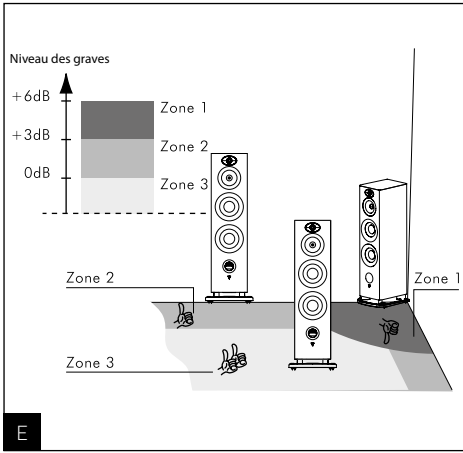
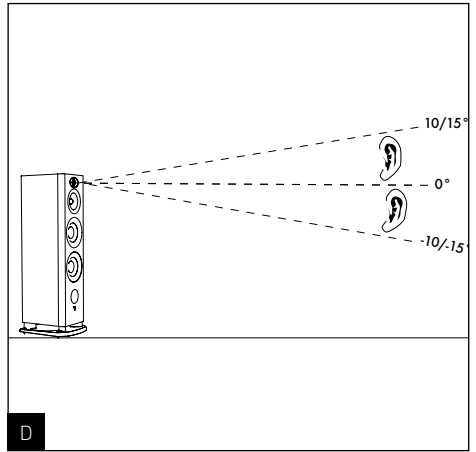
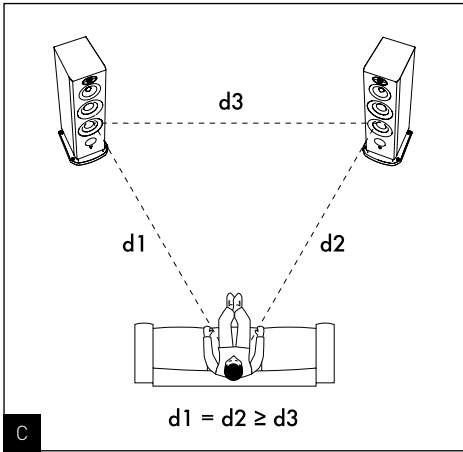
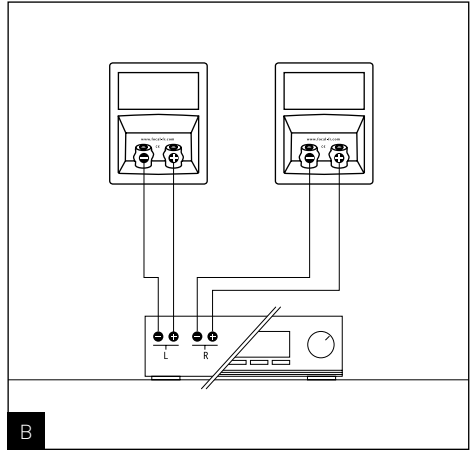
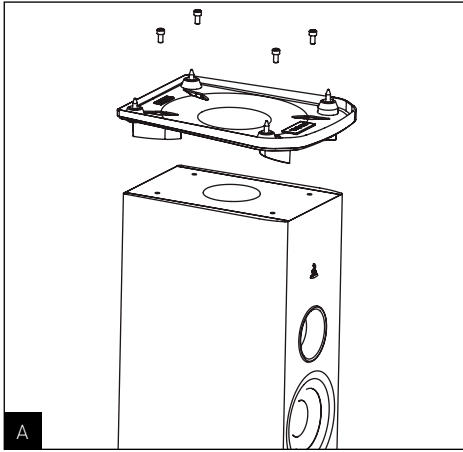
**Système Powerflow** : vitesse de l'air dans les événements divisée par deux par rapport à la technologie traditionnelle. Pas de compression dynamique dans le grave.

**Évent profilé** : grave puissant sans distorsion.

**Quate acoustique haute efficacité** : excellent amortissement interne, grave tenu et plus profond.

**Connexions des câbles fiables et polyvalentes, couple de serrage élevé.**

**Pointes de découplage fournies.**



# ARIA 900™ SERIE

## Manuel d'utilisation

15

### Fixation de la base avec l'enceinte (926, 936, 948)

Pour fixer la base à l'enceinte, retournez tout d'abord l'enceinte en la faisant reposer sur sa partie supérieure (posée sur la cale d'emballage) et en prenant soin de ne pas endommager l'ébénisterie/plaque de verre ou les haut-parleurs pendant l'opération. Posez la base sur l'enceinte et mettez en position les 4 vis fournies. Serrez à l'aide de la clé Allen (fig. A).

### Branchements

Les connecteurs des Aria 900 assurent des contacts fiables et polyvalents, pour câbles dénudés (jusqu'à 4 mm de diamètre) ou des fourches. Les bornes bananes sont obstruées pour être en conformité avec les normes électriques et de raccordement en vigueur dans certains pays. Ne pas retirer les opercules en plastique.

Il est impératif de respecter la polarité des enceintes. Le connecteur marqué "+" doit être connecté sur la sortie correspondante de l'amplificateur, le connecteur marqué "-" sur la borne négative (fig. B). Si cette condition n'est pas respectée, l'image stéréo et la perception du grave se dégraderont considérablement.

### Choix de l'emplacement

Vos enceintes Aria 900 ont été étudiées pour restituer le plus fidèlement possible toutes les formes de musiques ou programmes Home Cinéma. Il convient toutefois d'observer quelques règles simples pour optimiser leurs performances, garantir un bon équilibre tonal et une image sonore réaliste.

Les enceintes devront être placées de façon symétrique face à la zone d'écoute, de manière à former idéalement un triangle équilatéral avec celle-ci. Il est néanmoins possible de faire varier ces distances pour trouver le compromis idéal en fonction des conditions d'aménagement particulières (fig. C).

Les enceintes devront être placées à la même hauteur sur un même plan horizontal. Idéalement, le tweeter sera placé au niveau des oreilles de l'auditeur au point d'écoute habituel (fig. D).

Ne placez pas les enceintes trop près d'un angle de la pièce et évitez de trop les rapprocher d'un mur. Ceci aura pour effet d'exciter certaines résonances du local et d'augmenter artificiellement le niveau du grave. A contrario, si le niveau de grave est jugé insuffisant, on pourra tenter de rapprocher les enceintes des murs pour rééquilibrer le niveau de grave (fig. E).

### Optimisation

Pour les perfectionnistes, nous donnerons une formule de positionnement optimal :

Si **A** est la distance du centre du boomer à la paroi la plus proche (sol ou mur), **B** la distance intermédiaire et **C** la distance la plus grande ( $A < B < C$ ), la relation  $B^2 = AC$  définit la position idéale de l'enceinte.

#### • Exemple :

Si le centre du boomer est éloigné du mur arrière de 50 cm (A) et à 60 cm du sol (B), alors le mur latéral sera idéalement à 72 cm ( $C = B^2/A = 72 \text{ cm}$ ) (fig. F).

### Conseils d'utilisation

Le comportement des enceintes Aria 900 dépend de l'acoustique du local d'écoute, du bon positionnement des enceintes dans celui-ci et de l'emplacement de l'auditeur. Il est possible d'interagir sur ces éléments pour corriger ou améliorer un effet recherché.

**La perception stéréophonique est imprécise et mal centrée** : essayez de rapprocher les enceintes l'une de l'autre et/ou orientez-les vers le point d'écoute.

**Le son est dur, agressif** : l'acoustique de votre local est probablement trop réverbérante. Envisagez l'utilisation de matériaux absorbants (tapis, canapé, tentures murales, rideau...) et réfléchissants (meublier) pour absorber ou diffuser les résonances.

**Le son est "plat", étouffé** : excès de matériaux absorbants dans la pièce, le son est bouché, sans relief. Recherchez un meilleur compromis entre les matériaux absorbants et réfléchissants de votre intérieur.

D'une manière générale, on cherchera à ce que le mur placé derrière les enceintes soit de nature réfléchissante pour que le son se développe correctement. À l'inverse, le mur placé derrière la zone d'écoute sera idéalement absorbant pour éviter que des réflexions arrière ne viennent "polluer" la perception de l'image stéréophonique. Le meublier pourra être placé judicieusement sur les murs latéraux pour diffuser les ondes sonores afin d'éviter d'exciter certaines zones de fréquences notamment dans le médium (suppression du "flutter écho").

# ARIA 900™ SERIE

## Manuel d'utilisation

16

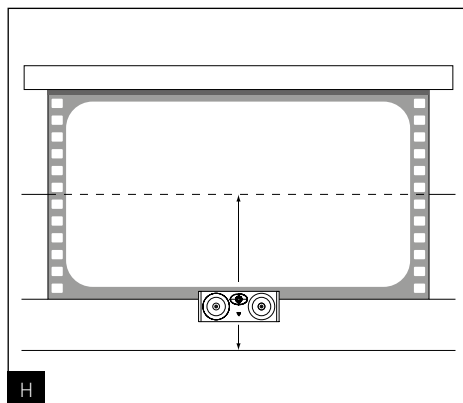
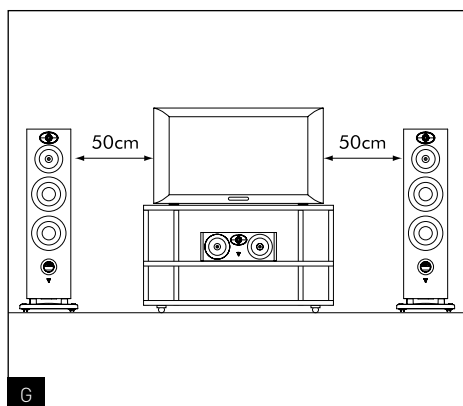
### Choix des enceintes

Les enceintes Aria 900 ont été mises au point pour fonctionner en stéréo comme en Home Cinéma. Si vous possédez déjà des enceintes Aria 900 à l'avant et désirez évoluer vers le Home Cinéma, il est capital d'utiliser une enceinte centrale et des enceintes surround Aria 900. Il s'agit de la seule solution envisageable pour vous garantir une parfaite concordance de timbres et une répartition à la fois réaliste et cohérente des effets tridimensionnels dans la pièce.

### Placement de l'enceinte centrale

L'enceinte centrale doit être placée à proximité de l'écran pour une restitution réaliste des dialogues. Elle peut être placée sous le téléviseur si le meuble TV le permet (*fig. G*).

Si un écran de projection standard est utilisé, l'enceinte centrale devra être placée au pied de l'écran pour des résultats optimaux. Si un écran micro perforé est utilisé, elle pourra alors être placée derrière l'écran, vers la moitié basse de celui-ci (*fig. H*).





# ARIA 900™ SERIE

## Manuel d'utilisation

17

### Placement des enceintes surround

La complexité des bandes sonores des films, tout particulièrement celles qui sont mixées en 5.1 ou 7.1 permet aujourd'hui d'obtenir une très grande diversité d'effets surround. Le choix du placement des enceintes surround est donc déterminant pour l'obtention d'un espace tridimensionnel réaliste.

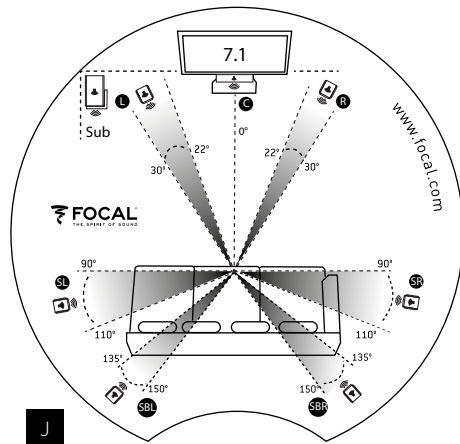
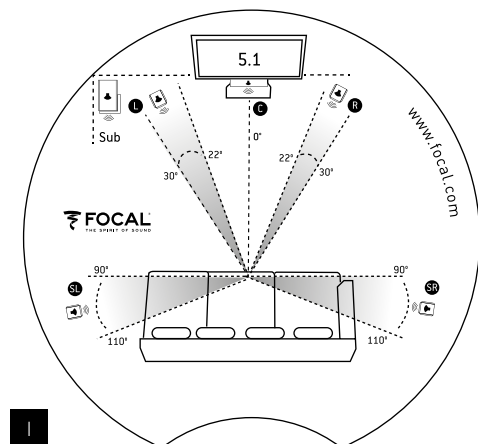
L'objectif visé est d'obtenir des sons suffisamment diffus et difficiles à localiser par l'application de quelques règles de base.

Évitez de placer les enceintes surround trop en arrière de la zone d'écoute, car la perception s'en trouvera dégradée. Privilégiez un placement sur les murs latéraux pour obtenir des effets sonores plus enveloppants (*fig. I, J*).

### Emplacement des satellites

- Installez-vous à votre place d'écoute
- Positionnez l'outil ci-dessous face à votre écran
- Il vous donne le meilleur positionnement pour vos enceintes

Face à l'écran



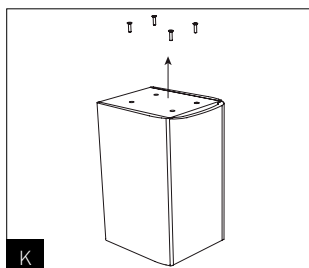
# ARIA 900™ SERIE

## Manuel d'utilisation

18

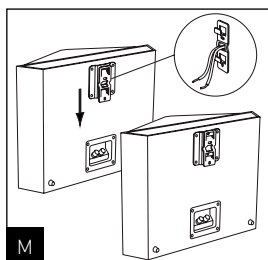
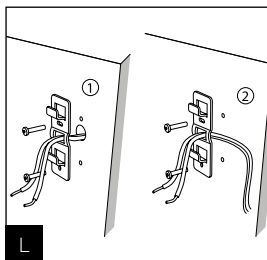
### Fixation de l'enceinte bibliothèque sur le pied

Retournez tout d'abord l'enceinte en la faisant reposer sur sa partie supérieure (posée sur la cale d'emballage) et en prenant soin de ne pas endommager l'ébénisterie/plaque de verre ou les haut-parleurs pendant l'opération. Retirez les 4 vis qui sont situées sous l'enceinte (**fig. K**), puis posez l'enceinte sur le pied. Fixez solidement l'enceinte sur son pied grâce aux vis fournies avec le pied (*voir notice du pied Focal S900*).



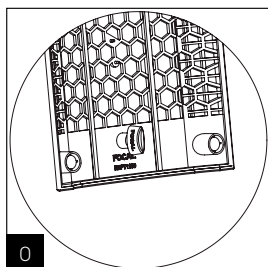
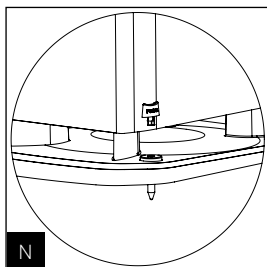
### Fixation surround sur support Polyfix (SR 900)

- Positionnez le support mural sur la cloison et percez. N'utilisez que des chevilles de fixation adaptées à la nature de votre cloison.
- Si le câble haut-parleur est encastré dans la cloison, faites le passer par l'orifice du support mural comme indiqué.
- Si le câble est fixé contre la cloison, faites le passer sous le passage de câble du support comme indiqué.
- Faites passer le câble haut-parleur dans la plaque Polyfix comme indiqué.
- Clipez la plaque de l'enceinte sur le support mural comme indiqué (**fig. L, M**).



### Accessoires

Les colonnes Aria 900 intègrent les pointes dans le socle métallique. Elles sont réglables en hauteur au moyen de la clé fournie. Après utilisation, cette clé sera rangée derrière la grille de protection des haut-parleurs (**fig. N, O**).



# ARIA 900™ SERIE

## Manuel d'utilisation

### Précautions d'utilisation

Le tweeter TNF utilise un alliage Aluminium / Magnésium relativement souple, possédant un effet de "mémoire de forme" pour le mettre à l'abri de la plupart des petits chocs domestiques. Néanmoins nous vous recommandons de laisser en place les grilles de protection en tissu pour mettre le dôme à l'abri. Si la surface du dôme est marquée, le tweeter pourrait être altéré.

### Instructions de nettoyage

L'entretien des enceintes Aria 900 se limite à un dépoussiérage à l'aide d'un chiffon sec. Si l'enceinte est tachée, nous vous recommandons simplement l'utilisation d'un chiffon humide. La plaque de verre du dessus pourra être nettoyée en utilisant un chiffon doux et un produit lave vitre classique.

Ne jamais utiliser de solvants, détergents, alcools ou produits corrosifs, grattoirs ou ustensiles récurants pour nettoyer la surface de l'enceinte.

Éviter la proximité d'une source de chaleur.

### Choix de l'amplificateur

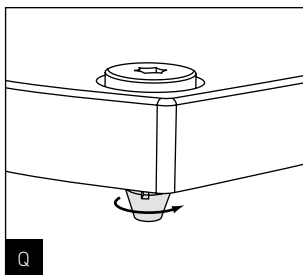
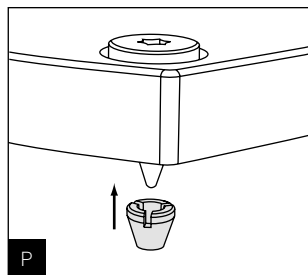
Ce n'est pas l'excès de puissance d'un amplificateur qui risque de détériorer l'enceinte et les haut-parleurs, mais au contraire un défaut de puissance. En effet si le volume est trop élevé, l'amplificateur sature et génère des signaux parasites qui risquent de détruire le tweeter.

La capacité dynamique et la définition des enceintes Aria 900 sont suffisamment élevées pour mettre en évidence les qualités et défauts des amplificateurs qui leur seront associés. Votre revendeur saura aiguiller votre choix, en fonction de vos goûts et de votre budget.

### Choix des câbles

Choisissez des câbles de qualité de section appropriée à la longueur : votre revendeur saura vous conseiller.

### Mise en place des embouts de protection sur les pointes



# ARIA 900™ SERIE

## Manuel d'utilisation

20

### Caractéristiques

	ARIA 906	ARIA 926	ARIA 936
Type	Bibliothèque 2 voies Bass reflex	Colonne 3 voies Bass-reflex	Colonne 3 voies Bass-reflex
Haut-parleurs	Grave / Médium Flax 16,5 cm	2 x Grave Flax 16,5 cm	3 x Grave Flax 16,5 cm
		Médium Flax 16,5 cm	Médium Flax 16,5 cm
	Tweeter TNF à dôme inversé Al/Mg 25mm	Tweeter TNF à dôme inversé Al/Mg 25 mm	Tweeter TNF à dôme inversé Al/Mg 25 mm
Réponse en fréquence (±3 dB)	55 Hz - 28 kHz	45 Hz - 28 kHz	39 Hz - 28 kHz
Réponse à - 6 dB	47 Hz	37 Hz	32 Hz
Sensibilité (2,83V/1m)	89,5 dB	91,5 dB	92 dB
Impédance nominale	8 Ohms	8 Ohms	8 Ohms
Impédance minimum	4,6 Ohms	2,9 Ohms	2,8 Ohms
Puissance ampli recommandée	25 - 120 W	40 - 250 W	50 - 300 W
Fréquence de filtrage	2800 Hz	290 Hz / 2400 Hz	260 Hz / 3100 Hz
Dimensions (H x L x P)	390 x 225 x 280 mm	1035 x 294 x 371 mm	1150 x 294 x 371 mm
Poids (unité)	8,5 kg	25 kg	29 kg

# ARIA 900™ SERIE

## Manuel d'utilisation

21

	<b>ARIA 948</b>	<b>ARIA CC900</b>	<b>ARIA SR900</b>
<b>Type</b>	Colonne 3 voies Bass-reflex	Centrale 2 voies Bass-reflex	Surround bipolaire 2 voies close
<b>Haut-parleurs</b>	2 x Grave Flax 21 cm	2 x Grave / Médium Flax 16,5 cm	2 x Grave / Médium Flax 13 cm
	Médium Flax 16,5 cm		
	Tweeter TNF à dôme inversé Al/Mg 25 mm	Tweeter TNF à dôme inversé Al/Mg 25 mm	2 x Tweeter TNF à dôme inversé 25 mm
<b>Réponse en fréquence (±3 dB)</b>	37 Hz - 28 kHz	57 Hz - 28 kHz	85 Hz - 28 Hz
<b>Réponse à - 6 dB</b>	31 Hz	50 Hz	67 Hz
<b>Sensibilité (2,83V/1m)</b>	92,5 dB	91 dB	90 dB
<b>Impédance nominale</b>	8 Ohms	8 Ohms	8 Ohms
<b>Impédance minimum</b>	2,5 Ohms	4,3 Ohms	3,6 Ohms
<b>Puissance ampli recommandée</b>	50 - 350 W	40 - 200 W	25 - 120 W
<b>Fréquence de filtrage</b>	280 Hz / 2 600 Hz	2800 Hz	2200 Hz
<b>Dimensions (H x L x P)</b>	1150 x 371 x 420 mm	200 x 533 x 245 mm	295 x 400 x 170 mm
<b>Poids (unité)</b>	35 kg	10,5 kg	5,6 kg

### Conditions de garantie

En cas de problème, adressez-vous à votre revendeur Focal.

La garantie pour la France sur tout matériel Focal est de 2 ans, non transmissible en cas de revente, à partir de la date d'achat. En cas de matériel défectueux, celui-ci doit être expédié à vos frais, dans son emballage d'origine auprès du revendeur, lequel analysera le matériel et déterminera la nature de la panne. Si celui-ci est sous garantie, le matériel vous sera rendu ou remplacé en "franco de port". Dans le cas contraire, un devis de réparation vous sera proposé.

La garantie ne couvre pas les dommages résultant d'une mauvaise utilisation ou d'un branchement incorrect (bobines mobiles brûlées par exemple...).

En dehors de la France, le matériel Focal est couvert par une garantie dont les conditions sont fixées localement par le distributeur officiel Focal-JMlab de chaque pays, en accord avec les lois en vigueur sur le territoire concerné.

# ARIA 900™ SERIE

## Gebrauchsanweisung

Deutsch

Registrieren Sie Ihr Produkt online, um Ihre Focal-JMLab-Garantie zu bestätigen:  
[www.focal.com/warranty](http://www.focal.com/warranty)



### Einspielzeit

Die in den Aria-900-Modellen verwendeten Lautsprecherchassis sind komplexe mechanische Bauteile, die eine gewisse Zeit benötigen, um sich an die Temperatur- und Feuchtigkeitsbedingungen Ihres Hörraums anzupassen und optimale Performance zu bieten. Die Einspielzeit hängt von verschiedenen Faktoren ab und kann mehrere Wochen betragen. Um den Vorgang zu beschleunigen, empfehlen wir, etwa zwanzig Stunden am Stück Musik über die Lautsprecher laufen zu lassen. Nachdem sich die mechanischen Eigenschaften der Chassis vollständig stabilisiert haben, können Sie das gesamte klangliche Potenzial Ihrer Aria-900-Lautsprecher genießen.

### Lieferumfang pro Karton:

- 1 Lautsprecher (906: 2 Lautsprecher)
- 1 Benutzerhandbuch
- 1 Reinigungstuch (Ausführung High Gloss)
- 1 Schlüssel zur Einstellung der Spikes (926, 936, 948)
- 1 Sockel aus Aluminiumlegierung (926, 936, 948)
- 4 Schrauben und Inbusschlüssel (926, 936, 948)
- 1 Polyfix-Wandbefestigungsset (SR 900)

### Features

**TNF-Hochtöner mit Inverskalotte aus Aluminium-Magnesium-Legierung:** Der für die Aria-900-Serie entwickelte Hochtöner nutzt die Focal-eigene Inverskalotte für eine optimale Energieübertragung und ein breites Abstrahlverhalten. Die Aluminium-Magnesium-Legierung der Inverskalotte ermöglicht dank hoher Steifigkeit und Dämpfung eine ausgezeichnete klangliche Performance.

Die mechanischen Eigenschaften der neuen Sicke aus Poron, einem offenzelligen mikrozellularen Urethan-Polymer, bergen zahlreiche Vorteile. Sie sorgen für eine exzellente Abbildungsstabilität und sind extrem zeitbeständig. In unseren Hochtönern nutzen wir die Eigenschaften von Poron insbesondere zur Erhöhung der Linearität und zur Minimierung von Verzerrungen. Es entstehen angenehmere und präzisere Töne mit natürlicheren Klangfarben. Der den Hochtöner umfassende Waveguide optimiert das Abstrahlverhalten und reduziert gleichzeitig Beugungseffekte.

**Mittel- und Tieftöner mit Flax-Membran:** Alle Lautsprecher der Aria-Serie verfügen über die Sandwich-Membranen aus Flachsfasern. Flachsfasern sind ein ökologischer Faserstoff mit erstaunlichen strukturellen Eigenschaften. Sie sind leicht, steif und gut gedämpft und sorgen so für hohe Klangtreue und eine bessere Auflösung.

**Abdeckung mit Magnetverschluss:** einfachere Montage und moderneres Design.

**Powerflow-System:** Im Vergleich zu konventionellen Bassreflex-Konstruktionen wird die Geschwindigkeit des Luftstroms über einen aufgeteilten Luftkanal halbiert; so wird dynamischer Kompression im Tiefton vorgebeugt.

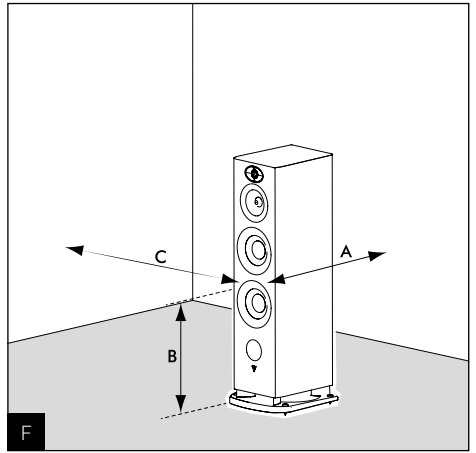
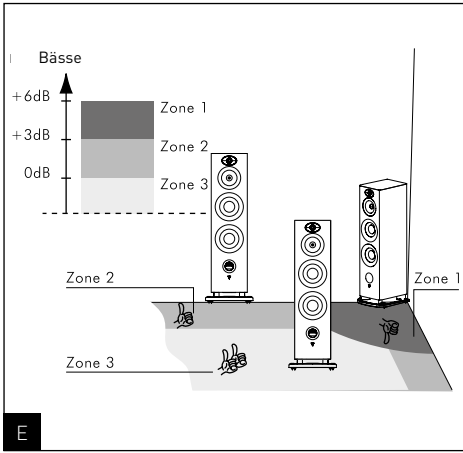
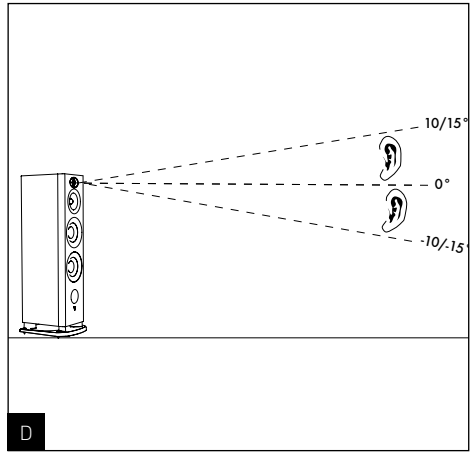
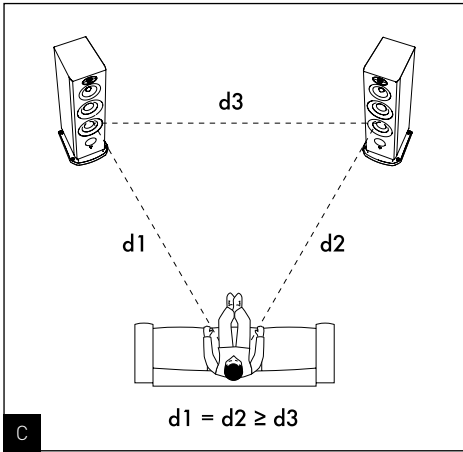
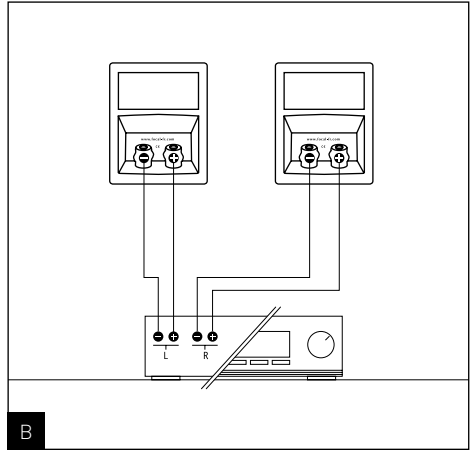
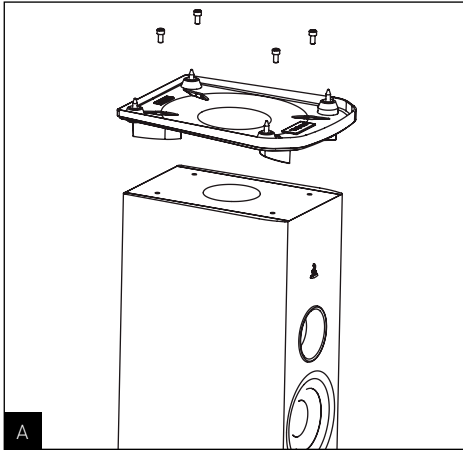
**Profiliertes Luftkanal:** starke, verzerrungsfreie Tieftonwiedergabe.

**Hochwirksame akustische Dämpfung:** ausgezeichnete interne Dämpfungseigenschaften, kontrollierte Tieftonwiedergabe.

**Sicherer und vielseitiger Kabelanschluss, großes Anzugsdrehmoment.**

**Spikes im Lieferumfang enthalten.**

Im Interesse der beständigen Weiterentwicklung und Verbesserung seiner Produkte behält sich Focal-JMLab® das Recht vor, die technischen Daten ohne Ankündigung zu ändern. Produkte können von der jeweiligen Abbildung abweichen.



# ARIA 900™ SERIE

## Gebrauchsanweisung

24

### Befestigung des Sockels am Lautsprecher (926, 936, 948)

Um den Sockel am Lautsprecher zu befestigen, stellen Sie den Lautsprecher zunächst auf seine Oberseite (auf das Verpackungselement) und achten Sie dabei darauf, das Gehäuse/die Glasplatte und die Lautsprecher nicht zu beschädigen. Legen Sie den Sockel auf den Lautsprecher und positionieren Sie die vier beiliegenden Schrauben. Drehen Sie die Schrauben mithilfe des Inbusschlüssels fest (**Abb. A**).

### Anschlüsse

Die Anschlüsse der Aria-900-Lautsprecher sorgen für zuverlässigen Kontakt und sind für blanke Kabelenden (bis 4 mm Durchmesser) oder Kabelschuhe geeignet. In manchen Ländern sind Bananenstecker gemäß der geltenden Sicherheitsbestimmungen mit Plastikabdeckungen versehen; die Abdeckungen sollten nicht entfernt werden. Achten Sie sowohl lautsprecher- als auch verstärkerseitig unbedingt auf die korrekte Polarität. Die mit "+" markierte Buchse muss mit dem Pluspol, die mit "-" markierte Buchse mit dem Minuspol des Verstärkerausgangs verbunden werden (**Abb. B**). Bei inkorrekt polarisierter Verbindung werden sowohl Stereoabbildung als auch Basswiedergabe erheblich beeinträchtigt.

### Aufstellung

Ihre Aria-900-Lautsprecher wurden für höchstmögliche Klangtreue bei der Wiedergabe aller Arten von Musik und Heimkinoton entwickelt. Wir empfehlen jedoch die Beachtung folgender Regeln, um tonale Balance und ein realistisches Klangbild zu gewährleisten. Die Lautsprecher sollten symmetrisch zum Hörplatz aufgestellt werden und idealerweise ein gleichseitiges Dreieck mit diesem bilden. Wenn die Einrichtung es nicht zulässt, kann von diesem Ideal abgewichen werden (**Abb. C**).

Die Lautsprecher sollten vertikal und horizontal gleich ausgerichtet sein. Idealerweise befindet sich der Hochtöner auf derselben Höhe wie die Ohren des Zuhörers (**Abb. D**).

Stellen Sie die Lautsprecher nicht zu nahe an eine Wand oder in eine Ecke des Raums, da dies ungewollte Resonanzen und eine unnatürliche Verstärkung der Basswiedergabe zur Folge hätte. Wenn die Basswiedergabe als unzureichend empfunden wird, können die Lautsprecher näher an die Wand gerückt werden, um die tonale Balance herzustellen (**Abb. E**).

### Optimierung

Wenn Sie die Lautsprecheraufstellung perfektionieren wollen, können Sie anhand folgender Formel die optimale Position ermitteln: Wenn A der Abstand von der Mitte des Tieftöners zur nächsten Raumgrenze (Wand oder Boden) ist, B der nächstgrößere Abstand und C der größte ( $A < B < C$ ), wird die ideale Position des Lautsprechers durch folgende Formel errechnet:  $B^2 = AC$ .

Beispiel: Wenn die Mitte des Tieftöners 50 cm von der Rückwand (A) und 60 cm vom Boden (B) entfernt ist, sollte zur Seitenwand ein Abstand von 72 cm gewählt werden, also  $C = B^2/A = 72 \text{ cm}$  (**Abb. F**).

### Empfehlungen

Das klangliche Ergebnis hängt von der Akustik des Raums sowie von der Positionierung der Lautsprecher und des Zuhörers ab. Durch die Veränderung dieser Parameter lassen sich bestimmte Effekte erzielen oder verstärken.

**Die Stereoabbildung ist ungenau und nicht zentriert:** Verringern Sie den Abstand zwischen den beiden Lautsprechern oder zwischen den Lautsprechern und dem Hörplatz.

**Der Klang ist hart, aggressiv:** Ihr Raum hat wahrscheinlich zu viel Nachhall. Erwägen Sie den Einsatz absorbierender (Teppich, Sofa, Wandbehänge, Vorhänge usw.) und reflektierender Materialien (Möbel), um Schall zu dämpfen bzw. zu streuen.

**Der Klang ist "flach", nicht lebendig:** Es befindet sich zu viel absorbierendes Material im Raum, wodurch der Klang zu stark gedämpft wird. Stellen Sie ein ausgewogenes Verhältnis zwischen absorbierenden und reflektierenden Materialien in Ihrem Raum her.

Im Allgemeinen sollte man dafür sorgen, dass die Wand hinter den Lautsprechern reflektierend wirkt, damit sich der Klang richtig entfalten kann. Im Gegensatz dazu sollte die Wand hinter dem Hörplatz absorbierend wirken, um zu vermeiden, dass Reflexionen von dieser Wand die Stereoabbildung beeinträchtigen. An den Seitenwänden platzierte Möbel können dazu beitragen, Schallwellen aufzubrechen und so Raumresonanzen insbesondere im Mitteltonbereich vorzubeugen (Unterdrückung des Flatterechos).



# ARIA 900™ SERIE

## Gebrauchsanweisung

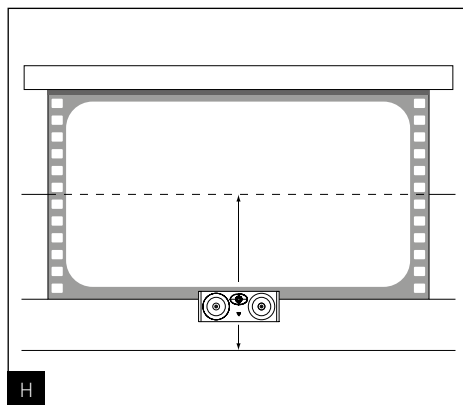
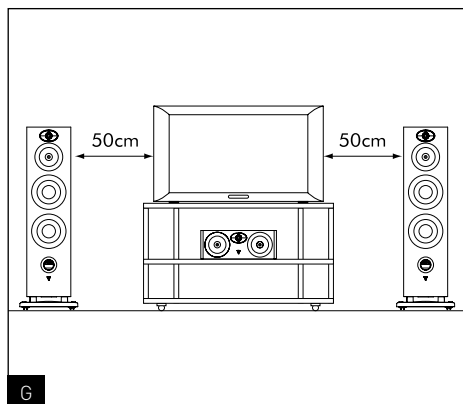
25

### Wahl des richtigen Lautsprechers

Die Aria-900-Lautsprecher wurden speziell für Stereo- und Heimkinoanwendungen entwickelt. Wenn Sie für die Hauptkanäle (vorne links und rechts) Aria-Lautsprecher verwenden und eine Heimkino-Konfiguration umsetzen wollen, sollten Sie auf die Center- und die Surroundlautsprecher der Reihe Aria 900 zurückgreifen. Nur so ist es möglich, die Lautsprecher klanglich perfekt auf die anderen Modelle abzustimmen und eine realistische, stimmige Verteilung der dreidimensionalen Effekte im Raum zu erzielen.

### Positionierung des Centerlautsprechers

Der Centerlautsprecher sollte für eine realistische Wiedergabe der Dialoge möglichst nahe am Bildschirm platziert sein. Wenn es Ihre Einrichtung ermöglicht, kann er auch unter dem Fernseher aufgestellt werden (**Abb. G**). Wenn Sie eine Standard-Kinoleinwand verwenden, sollte der Centerlautsprecher mittig unterhalb der Leinwand aufgestellt werden. Wenn Sie eine perforierte, akustisch durchlässige Leinwand verwenden, kann er auch hinter der Leinwand mittig in der unteren Hälfte der Projektionsfläche positioniert werden (**Abb. H**).



# ARIA 900™ SERIE

## Gebrauchsanweisung

### Positionierung der Surroundlautsprecher

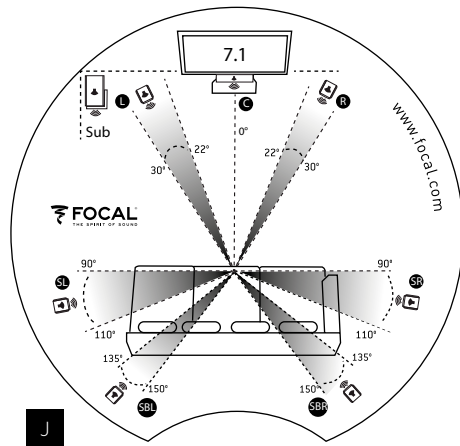
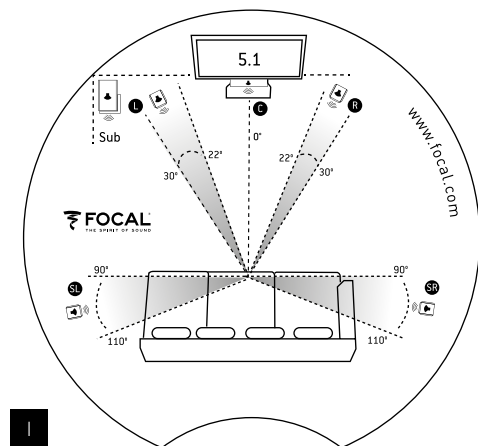
Komplexe Filmtonaufnahmen, insbesondere solche mit 5.1- oder 7.1-Tonspur, ermöglichen heute eine enorme Vielfalt an Surroundeffekten. Die richtige Positionierung der Surroundlautsprecher ist somit entscheidend für eine realistische dreidimensionale Tonwiedergabe.

Ziel ist ein weiträumiges Klangbild mit präzise ortbaren Instrumenten zu erzeugen. Achten Sie darauf, dass Sie die Lautsprecher nicht zu weit hinten im Hörbereich positionieren, da sich dadurch die Klangqualität verschlechtert. Nach Möglichkeit sollten die Lautsprecher an den Seitenwänden angebracht werden, um einen besseren "Rundum-Effekt" zu erzielen (Abb. I, J).

### Vorgehensweise

- Setzen Sie sich auf den Hörplatz.
- Richten Sie das Diagramm unten auf den Bildschirm/die Leinwand aus.
- Das Diagramm zeigt die optimale Positionierung für Ihre Lautsprecher.

Bildschirm/Leinwand



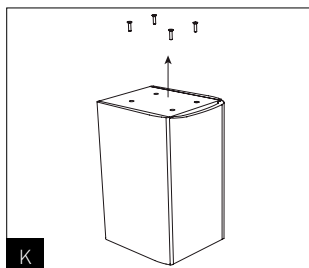
# ARIA 900™ SERIE

## Gebrauchsanweisung

27

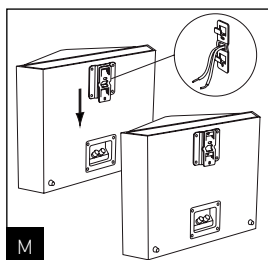
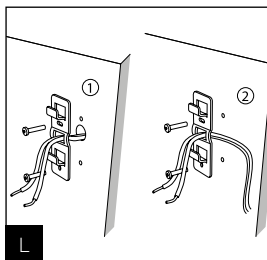
### Befestigung des Kompaktlautsprechers am Lautsprecherständer

Stellen Sie den Lautsprecher zunächst auf seine Oberseite (auf das Verpackungselement) und achten Sie dabei darauf, das Gehäuse/die Glasplatte und die Lautsprecher nicht zu beschädigen. Entfernen Sie die vier Schrauben, die sich an der Unterseite des Lautsprechers befinden (**Abb. K**), und positionieren Sie anschließend den Ständer auf der Lautsprecherunterseite. Befestigen Sie den Lautsprecher mit den beiliegenden Schrauben nun sorgfältig am Ständer (siehe Anleitung des Lautsprecherständers Focal S 900).



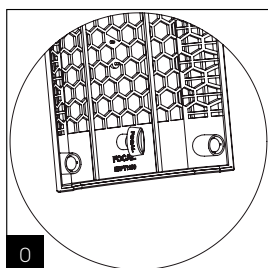
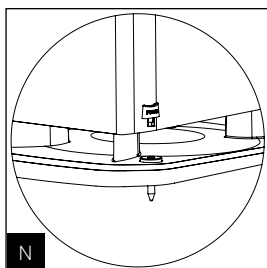
### Befestigung des Surroundlautsprechers mit Polyfix-Halterung (SR 900)

Positionieren Sie die Wandbefestigung an der gewünschten Stelle und bohren Sie zwei Löcher. Verwenden Sie ausschließlich Dübel, die für eine Befestigung an Ihrer Wand geeignet sind. Wenn das Lautsprecherkabel in die Wand eingelassen ist, führen Sie es vorsichtig wie dargestellt durch die Öffnung der Wandhalterung. Wenn das Kabel an der Wand befestigt wird, führen Sie es vorsichtig durch den Kabeldurchgang der Halterung. Führen Sie das Lautsprecherkabel wie dargestellt in die Polyfix-Platte. Klemmen Sie die Lautsprecherplatte in die Wandhalterung (**Abb. L, M**).



### Zubehör

In den Metallsockeln der Aria-900-Standlautsprecher befinden sich Spikes. Ihre Höhe kann mithilfe des beiliegenden Schlüssels verstellt werden. Wird der Schlüssel nicht mehr gebraucht, kann er hinter der Lautsprecherabdeckung verstaut werden (**Abb. N, O**).



# ARIA 900™ SERIE

## Gebrauchsanweisung

### Besondere Vorsichtsmaßnahmen

Der TNF-Hochtöner hat dank seines relativ flexiblen Materials, einer Aluminium-Magnesium-Legierung, ein "Formgedächtnis" und ist so vor den meisten kleinen Erschütterungen im häuslichen Umfeld geschützt. Nichtsdestotrotz empfehlen wir Ihnen, zum Schutz der Kalotte die angebrachte Stoffabdeckung nicht zu entfernen. Eine beschädigte Kalotten-Oberfläche kann die Klangqualität des Hochtöners beeinträchtigen.

### Reinigungshinweise

Entstauben Sie die Aria-900-Lautsprecher mit einem trockenen Reinigungstuch. Sollte Ihr Lautsprecher Flecken aufweisen, empfehlen wir Ihnen die Reinigung mit einem feuchten Reinigungstuch. Die oben angebrachte Glasplatte kann mit einem weichen Tuch und einem handelsüblichen Glasreiniger gereinigt werden. Verwenden Sie zur Reinigung des Lautsprechers keine Lösungsmittel, Schmutzlöser, alkoholhaltige oder ätzende Mittel, Schaber oder Kratzer. Vermeiden Sie es, den Lautsprecher in der Nähe von Heizkörpern oder ähnlichem aufzustellen.

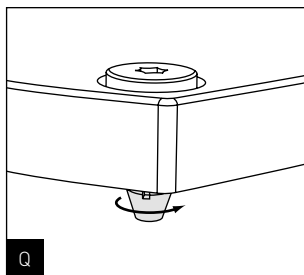
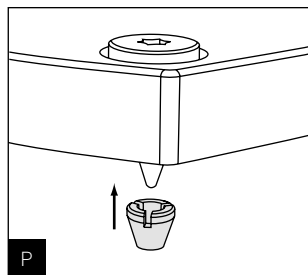
### Wahl des Verstärkers

Ihre Lautsprecher können eher durch zu schwache als durch zu leistungsstarke Verstärker beschädigt werden. Wenn eine zu hohe Lautstärke gewählt wird, erreicht der Verstärker den Sättigungsbereich und erzeugt Störsignale, die den Hochtöner beschädigen können. Die dynamische Kapazität und das Auflösungsvermögen der Aria-900-Lautsprecher sind groß genug, um die Qualitäten oder Fehler jedes angeschlossenen Verstärkers aufzuzeigen. Ihr Händler wird Ihnen bei der Wahl eines passenden Verstärkers behilflich sein.

### Wahl der Kabel

Wählen Sie Qualitätskabel mit einem für die Länge geeigneten Querschnitt. Ihr Händler wird Sie gerne beraten.

### Anbringung der Schutzkappen auf den Spikes



# ARIA 900™ SERIE

## Gebrauchsanweisung

### Technische Daten

	<b>Aria 906</b>	<b>Aria 926</b>	<b>Aria 936</b>
Konstruktionsart	Zwei-Wege- Kompaktlautsprecher, Bassreflexsystem	Drei-Wege- Standlautsprecher, Bassreflexsystem	Drei-Wege- Standlautsprecher, Bassreflexsystem
Chassis	Mittel-/Tieftöner mit Flachsmembran (16,5 cm)	2 Tieftöner mit Flachsmembran (16,5 cm)	3 Tieftöner mit Flachsmembran (16,5 cm)
		Mitteltöner mit Flachsmembran (16,5 cm)	Mitteltöner mit Flachsmembran (16,5 cm)
	TNF-Hochtöner mit Inverskalotte aus ALMg (25 mm)	TNF-Hochtöner mit Inverskalotte aus ALMg (25 mm)	TNF-Hochtöner mit Inverskalotte aus ALMg (25 mm)
<b>Frequenzgang (±3 dB)</b>	55 Hz–28 kHz	45 Hz–28 kHz	39 Hz–28 kHz
<b>Untere Grenzfrequenz –6 dB</b>	47 Hz	37 Hz	32 Hz
<b>Kenschalldruck (2,83V/1m)</b>	89,5 dB	91,5 dB	92 dB
<b>Nennimpedanz</b>	8 Ohm	8 Ohm	8 Ohm
<b>Minimumimpedanz</b>	4,6 Ohm	2,9 Ohm	2,8 Ohm
<b>Empfohlene Verstärk- erleistung</b>	25 - 120 W	40 - 250 W	50 - 300 W
<b>Trennfrequenz</b>	2800 Hz	290 Hz / 2400 Hz	260 Hz / 3100 Hz
<b>Maße (H x B x T)</b>	390 x 225 x 280 mm	1035 x 294 x 371 mm	1150 x 294 x 371 mm
<b>Gewicht</b>	8,5 kg	25 kg	29 kg

# ARIA 900™ SERIE

## Gebrauchsanweisung

30

	ARIA 948	ARIA CC 900	ARIA SR 900
<b>Konstruktionsart</b>	Drei-Wege- Standlautsprecher, Bassreflexsystem	Zwei-Wege-Center- lautsprecher, Bassreflexsystem	Zwei-Wege-Bipol- Surroundlautsprecher, geschlossen
Chassis	2 Tieftöner mit Flachmembran (21 cm)	2 Mitteltöner mit Flachmembran (16,5 cm)	2 Mittel-/Tieftöner mit Flachmembran (13 cm)
	2 Mittel-/Tieftöner mit Flachmembran (16,5 cm)		
	TNF-Hochtöner mit Inverskalotte aus AlMg (25 mm)	TNF-Hochtöner mit Inverskalotte aus AlMg (25 mm)	2 TNF-Hochtöner mit Inverskalotte aus AlMg (25 mm)
<b>Frequenzgang (±3 dB)</b>	37 Hz - 28 kHz	57 Hz - 28 kHz	85 Hz - 28 Hz
<b>Untere Grenzfrequenz -6 dB</b>	31 Hz	50 Hz	67 Hz
<b>Kennschalldruck (2,83V/1m)</b>	92,5 dB	91 dB	90 dB
<b>Nennimpedanz</b>	8 Ohm	8 Ohm	8 Ohm
<b>Minimumimpedanz</b>	2,5 Ohm	4,3 Ohm	3,6 Ohm
<b>Empfohlene Verstärk- erleistung</b>	50 - 350 W	40 - 200 W	25 - 120 W
<b>Trennfrequenz</b>	280 Hz / 2 600 Hz	2800 Hz	2200 Hz
<b>Maße (H x B x T)</b>	1150 x 371 x 420 mm	200 x 533 x 245 mm	295 x 400 x 170 mm
<b>Gewicht</b>	35 kg	10,5 kg	5,6 kg



### Garantie

Alle Focal-Produkte werden von einer Garantie abgedeckt, die von der offiziellen Focal-Vertriebsgesellschaft Ihres Landes ausgearbeitet wurde. Diese kann Ihnen weiterführende Informationen zu den Garantiebedingungen zur Verfügung stellen. Die Garantie umfasst mindestens die Bedingungen, die vom Gesetzgeber des Landes, in dem der Original-Kaufbeleg ausgestellt wurde, eingeräumt werden.

Ihr Focal-JMLab-Produkt wurde aus hochwertigen Materialien und Bauteilen gefertigt, die recycelbar sind und wieder verwendet werden können. Dieses Symbol bedeutet, dass elektrische und elektronische Geräte am Ende ihrer Nutzungsdauer vom Hausmüll getrennt entsorgt werden müssen. Bitte entsorgen Sie dieses Gerät auf Ihrem örtlichen Wertstoffhof oder in einem entsprechenden Recyclingzentrum. Sie leisten damit einen wichtigen Beitrag zum Schutz der Umwelt.





Focal-JMlab® - BP 374 - 108, rue de l'Avenir - 42353 La Talaudière cedex - France - [www.focal.com](http://www.focal.com)  
Tel. (+33) 04 77 43 57 00 - Fax (+33) 04 77 43 57 04 - SCAA180424/8 - COD01429